

产品规格书

产品类型 插座(JACK)
Product type _____

产品型号 J5F2C-W
Product NO. _____

客户名称
Customer _____

生产方	核准 (APPROVAL)	审核 (AUDIT)	制作 (COMPILE)
Manufacturer			

客户方	核准 (APPROVAL)	审核 (AUDIT)	承认 (ACCEPT)
(Customer)			

一、J5F2C-W 产品外观 (Product Appearance)



二、产品特性 (Product features)

- ✓ 橡胶密封套具有防水防尘作用 (Sealed rubber jacket is waterproof and dustproof)
- ✓ 行业首创卡侬输入输出防水插座 (Industry's first input and output waterproof XLR jack)
- ✓ 用于户外, 防水等级 IP 65 (For outdoor use ,and Water proof level IP 65)
- ✓ 标准的 D 型安装尺寸, 同现有的安装完全匹配 (Standard D mounting dimensions, Fully matched to existing installation)
- ✓ 真正解决 DMX 灯光行业在户外条件信号输入输出的快速连接要求 (Really solve the fast connection requirement of input and output of DMX signal in outdoor conditions in the lighting industry)

三、技术参数 (Technical parameters)

1. 电气参数 (Electrical parameters)

触点间电容 (Capacitance between contacts)	$\leq 7\text{pF}$
触点电阻 (Contact resistance)	$\leq 5\text{m}\Omega$
介电强度 (Dielectric strength)	1500V DC
绝缘电阻 (Insulation resistance)	$> 10\text{G}\Omega$ (initial)
每位额定电流 (Rated current per contact)	7.5A
额定电压 (Rated voltage)	$< 50\text{V}$

2. 机械参数 (Mechanical parameters)

插入压力 (Insertion force)	≤20N
拔出压力 (Withdrawal force)	≤20N
使用寿命 (Service life)	>1000
底座外形 (Chassis shape)	D

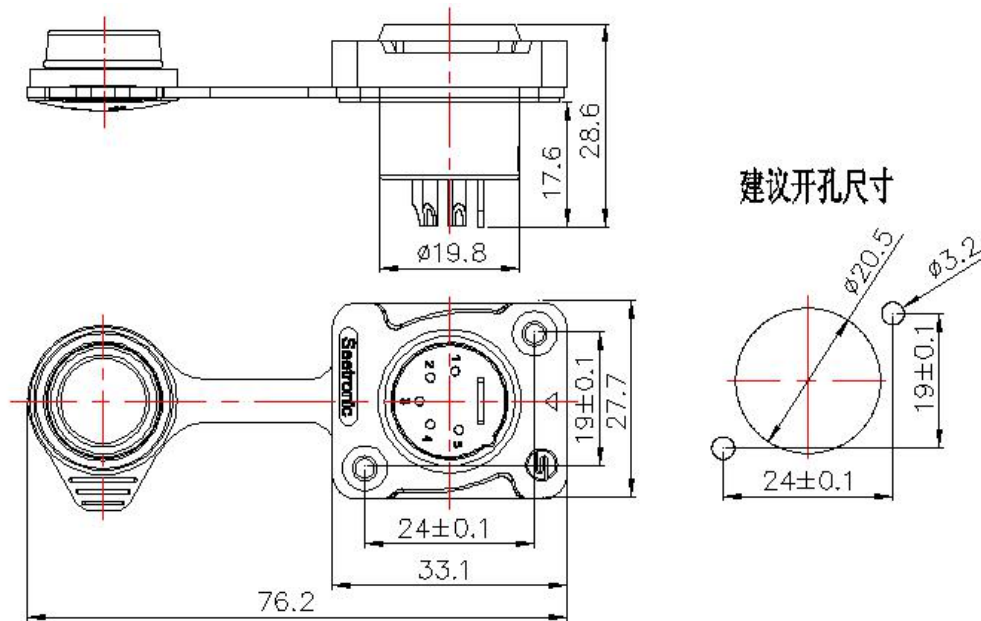
3. 材料和环境 (Material and environmental parameters)

触点电镀 (Contact plating)	Au Plated
触点 (Contacts)	Copper alloy
内芯 (Insert)	Polyamide (PA66 +30%GF)
外壳 (Shell)	Zinc diecast (ZnAl4Cu1)
外壳电镀 (Shell plating)	Pearl chrome
阻燃等级 (Flame-retardant grade)	UL94 HB
保护等级 (Protection class)	IP 65
可焊性 (Solderability)	Complies with IEC 68-2-20
使用温度范围 (Temperature range)	-30°C to +80°C

4. 标准和规范 (Standard)

标准 (Standard)	IEC 61076-2-103
---------------	-----------------

四、产品外形尺寸 (Product Profile)



单位: mm

五、安装使用说明 (Installation instructions)

面板安装 (Panel mount): 前端 (Front)