

产品规格书

产品类型 插座(JACK)
Product type _____

产品型号 J3F2C-W-B
Product NO. _____

客户名称
Customer _____

| | | | |
|--------------|---------------|------------|--------------|
| 生产方 | 核准 (APPROVAL) | 审核 (AUDIT) | 制作 (COMPILE) |
| Manufacturer | | | |

| | | | |
|------------|---------------|------------|-------------|
| 客户方 | 核准 (APPROVAL) | 审核 (AUDIT) | 承认 (ACCEPT) |
| (Customer) | | | |

一、J3F2C-W-B 产品外观 (Product Appearance)



二、产品特性 (Product features)

- ☑ 橡胶密封套具有防水防尘作用 (Sealed rubber jacket is waterproof and dustproof)
- ☑ 行业首创卡侬输入输出防水插座 (Industry's first input and output waterproof XLR jack)
- ☑ 用于户外, 防水等级 IP 65 (For outdoor use ,and Water proof level IP 65)
- ☑ 标准的 D 型安装尺寸, 同现有的安装完全匹配 (Standard D mounting dimensions, Fully matched to existing installation)
- ☑ 真正解决 DMX 灯光行业在户外条件信号输入输出的快速连接要求 (Really solve the fast connection requirement of input and output of DMX signal in outdoor conditions in the lighting industry)

三、技术参数 (Technical parameters)

1. 电气参数 (Electrical parameters)

| | |
|--------------------------------------|--------------------------------|
| 触点间电容 (Capacitance between contacts) | $\leq 4\text{pF}$ |
| 触点电阻 (Contact resistance) | $\leq 5\text{m}\Omega$ |
| 介电强度 (Dielectric strength) | 1500V DC |
| 绝缘电阻 (Insulation resistance) | $> 10\text{G}\Omega$ (initial) |
| 每位额定电流 (Rated current per contact) | 16A |
| 额定电压 (Rated voltage) | $< 50\text{V}$ |

2. 机械参数 (Mechanical parameters)

| | |
|-------------------------|-------|
| 插入压力 (Insertion force) | ≤20N |
| 拔出压力 (Withdrawal force) | ≤20N |
| 使用寿命 (Service life) | >1000 |
| 底座外形 (Chassis shape) | D |

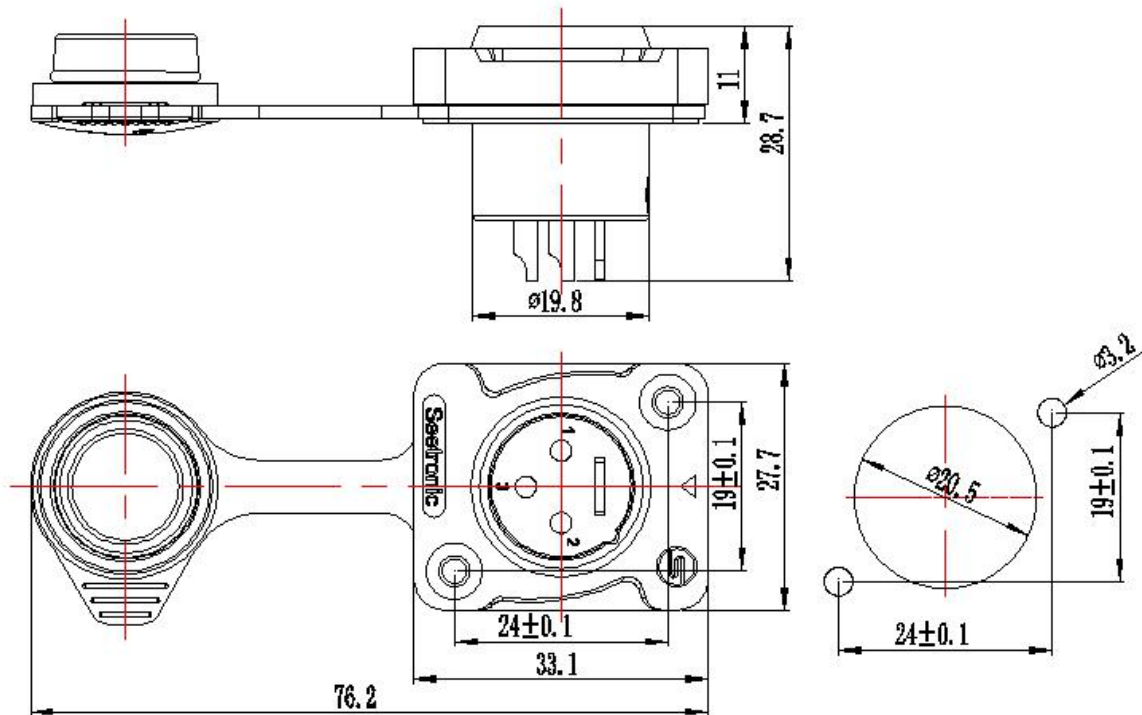
3. 材料和环境 (Material and environmental parameters)

| | |
|------------------------------|---------------------------|
| 触点电镀 (Contact plating) | Au Plated |
| 触点 (Contacts) | Copper alloy |
| 内芯 (Insert) | Polyamide (PA66 +30%GF) |
| 外壳 (Shell) | Zinc diecast (ZnAl4Cu1) |
| 外壳电镀 (Shell plating) | Black coating |
| 阻燃等级 (Flame-retardant grade) | UL94 HB |
| 保护等级 (Protection class) | IP 65 |
| 可焊性 (Solderability) | Complies with IEC 68-2-20 |
| 使用温度范围 (Temperature range) | -30°C to +80°C |

4. 标准和规范 (Standard)

| | |
|---------------|-----------------|
| 标准 (Standard) | IEC 61076-2-103 |
|---------------|-----------------|

四、产品外形尺寸 (Product Profile)



单位: mm

五、安装使用说明 (Installation instructions)

面板安装 (Panel mount): 前端 (Front)