

## 产 品 规 格 书

产品类型 插座(JACK)  
Product type \_\_\_\_\_

产品型号 K3F2C-W (02)  
Product NO. \_\_\_\_\_

客户名称  
Customer \_\_\_\_\_

生产方	核准 (APPROVAL)	审核 (AUDIT)	制作 (COMPILE)
Manufacturer			

客户方	核准 (APPROVAL)	审核 (AUDIT)	承认 (ACCEPT)
(Customer)			

## 一、K3F2C-W (02) 产品外观 (Product Appearance)



## 二、产品特性 (Product features)

- ☑ 橡胶密封套具有防水防尘作用 (Sealed rubber jacket is waterproof and dustproof)
- ☑ 行业首创卡侬输入输出防水插座 (Industry's first input and output waterproof XLR jack)
- ☑ 用于户外, 防水等级 IP 65 ( For outdoor use ,and Water proof level IP 65 )
- ☑ 真正解决 DMX 灯光行业在户外条件信号输入输出的快速连接要求 (Really solve the fast connection requirement of input and output of DMX signal in outdoor conditions in the lighting industry)

## 三、技术参数 (Technical parameters)

### 1. 电气参数 (Electrical parameters)

触点间电容 (Capacitance between contacts)	$\leq 4\text{pF}$
触点电阻 (Contact resistance)	$\leq 5\text{m}\Omega$
介电强度 (Dielectric strength)	1500V DC
绝缘电阻 (Insulation resistance)	$> 10\text{G}\Omega$ (initial)
每位额定电流 (Rated current per contact)	16A
额定电压 (Rated voltage)	$< 50\text{V}$

## 2. 机械参数 (Mechanical parameters)

插入压力 (Insertion force)	≤20N
拔出压力 (Withdrawal force)	≤20N
使用寿命 (Service life)	>1000

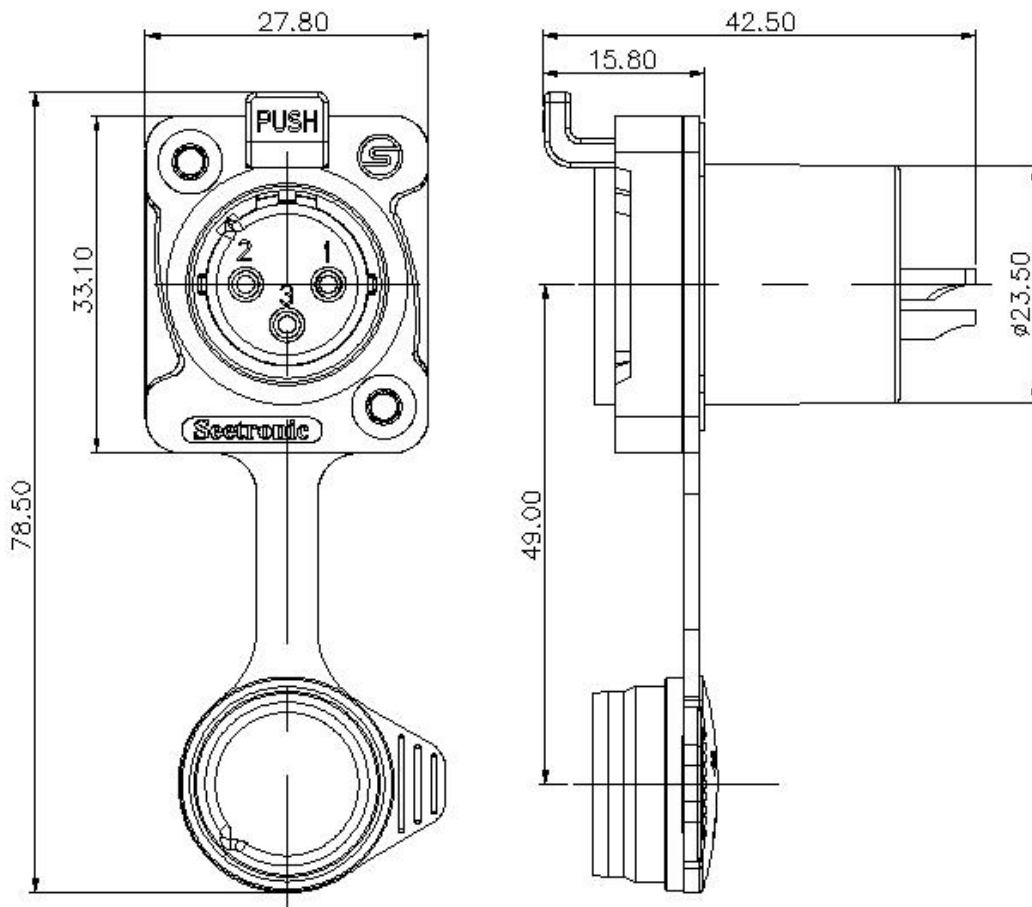
## 3. 材料和环境 (Material and environmental parameters)

触点电镀 (Contact plating)	Au Plated
触点 (Contacts)	Copper alloy
内芯 (Insert)	Polyamide (PA66 +30%GF)
外壳 (Shell)	Zinc diecast (ZnAl4Cu1)
外壳电镀 (Shell plating)	Pearl chrome
阻燃等级 (Flame-retardant grade)	UL94 HB
保护等级 (Protection class)	IP 65
可焊性 (Solderability)	Complies with IEC 68-2-20
使用温度范围 (Temperature range)	-30°C to +80°C

## 4. 标准和规范 (Standard)

标准 (Standard)	IEC 61076-2-103
---------------	-----------------

## 四、产品外形尺寸 (Product Profile)



面板开孔尺寸

单位: mm

## 五、安装使用说明 (Installation instructions)

面板安装 (Panel mount): 前端 (Front)