

## 产品规格书

产品类型 插座(JACK)  
Product type \_\_\_\_\_

产品型号 MK5F2C  
Product NO. \_\_\_\_\_

客户名称  
Customer \_\_\_\_\_

|              |               |            |              |
|--------------|---------------|------------|--------------|
| 生产方          | 核准 (APPROVAL) | 审核 (AUDIT) | 制作 (COMPILE) |
| Manufacturer |               |            |              |

|            |               |            |             |
|------------|---------------|------------|-------------|
| 客户方        | 核准 (APPROVAL) | 审核 (AUDIT) | 承认 (ACCEPT) |
| (Customer) |               |            |             |

## 一、MK5F2C 产品外观 (Product Appearance)



## 二、产品特性 (Product features)

- ☑ 坚固的全金属外壳，可提供最佳保护 (All metal housing offers best overall protection)
- ☑ 双接地设计 (Duplex ground contact)
- ☑ 可选 1 号针同外壳接地轻松连接 (Optional connection to easily join pin 1 to chassis ground)
- ☑ 标准的 D 型安装尺寸 (Standard D mounting dimensions)

## 三、技术参数 (Technical parameters)

### 1. 电气参数 (Electrical parameters)

|                                      |                                |
|--------------------------------------|--------------------------------|
| 触点间电容 (Capacitance between contacts) | $\leq 7\text{pF}$              |
| 触点电阻 (Contact resistance)            | $\leq 5\text{m}\Omega$         |
| 介电强度 (Dielectric strength)           | 1500V DC                       |
| 绝缘电阻 (Insulation resistance)         | $> 10\text{G}\Omega$ (initial) |
| 每位额定电流 (Rated current per contact)   | 7.5A                           |
| 额定电压 (Rated voltage)                 | $< 50\text{V}$                 |

### 2. 机械参数 (Mechanical parameters)

|                         |                        |
|-------------------------|------------------------|
| 插入压力 (Insertion force)  | $\leq 20\text{N}$      |
| 拔出压力 (Withdrawal force) | $\leq 20\text{N}$      |
| 使用寿命 (Service life)     | $> 1000$ mating cycles |
| 锁定装置 (Locking device)   | Latch lock             |
| 底座外形 (Chassis shape)    | D                      |

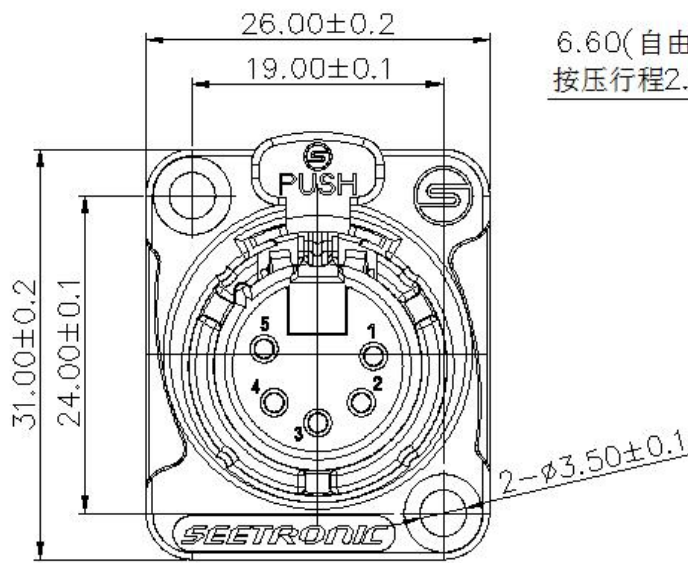
### 3. 材料和环境 (Material and environmental parameters)

|                              |                           |
|------------------------------|---------------------------|
| 触点电镀 (Contact plating)       | Ag                        |
| 触点 (Contacts)                | Copper alloy              |
| 内芯 (Insert)                  | Polyamide (PA66 +30%GF)   |
| 外壳 (Shell)                   | Zinc diecast (ZnAl4Cu1)   |
| 外壳电镀 (Shell plating)         | Pearl chrome              |
| 阻燃等级 (Flame-retardant grade) | UL94 V0                   |
| 保护等级 (Protection class)      | IP 40                     |
| 可焊性 (Solderability)          | Complies with IEC 68-2-20 |
| 使用温度范围 (Temperature range)   | -30°C to +80°C            |

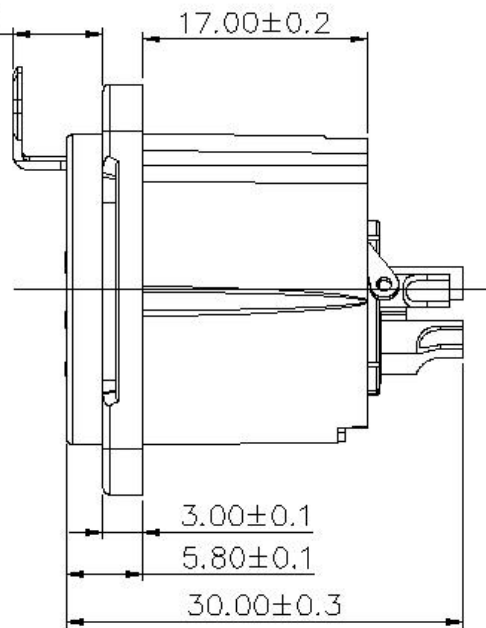
### 4. 标准和规范 (Standard)

|               |                 |
|---------------|-----------------|
| 标准 (Standard) | IEC 61076-2-103 |
|---------------|-----------------|

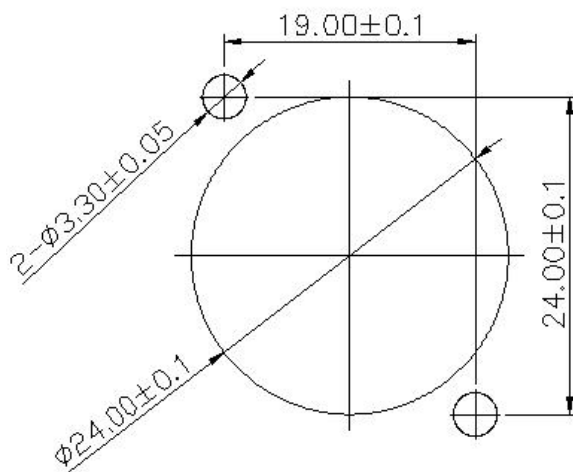
## 四、产品外形尺寸 (Product Profile)



6.60(自由状态)  
按压行程2.4mm



安装开孔尺寸



单位: mm

## 五、安装使用说明 (Installation instructions)

面板安装 (Panel mount) : 前端和后端 (Front and rear)